

USER INSTRUCTIONS



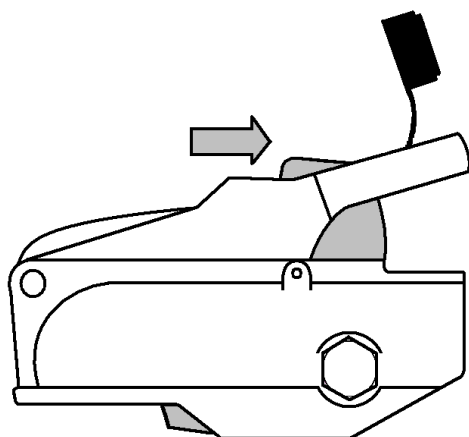
**Ifor Williams
Trailers[®]**

AVONRIDE

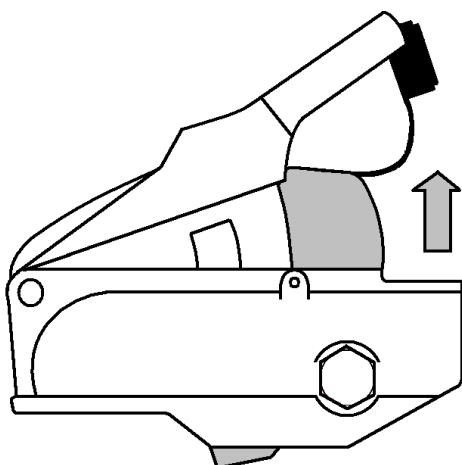
Locking ball coupling

Ball Coupling Operating instructions

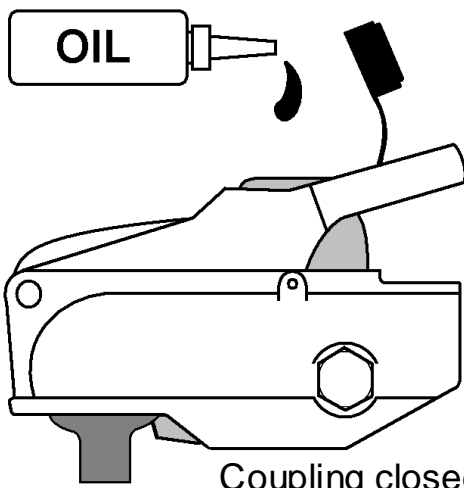
1. Ensure head is unlocked, open the plastic cover, Insert key and rotate 90° to unlock the coupling head.
2. Whilst gripping the handle with one hand, release catch with thumb, and raise handle as per illustration.
3. If catch only moves slightly, but does not allow handle to lift then head is still locked.
4. Lower coupling head onto vehicle tow-ball.
5. Release handle, catch should automatically click closed, if not push the handle home to achieve this. (visually check that the tow-ball is fully engaged within the head)
6. If required to lock the head, open the plastic cover, Insert key and rotate 90° to secure the coupling head.
7. Remove key and replace plastic cover over lock.
8. Keep the head greased



Release catch with thumb



A tipping movement opens mechanism



Coupling closed

Ifor Williams Trailers Ltd.

BRITAIN'S LEADING TRAILER MANUFACTURER

Cynwyd, Corwen, Denbighshire, LL21 0LB, UK
Tel. 01490 412626: Fax 01490 412770
email: care@iwt.co.uk www.iwt.co.uk